



**MIXER
COMPOUNDS**

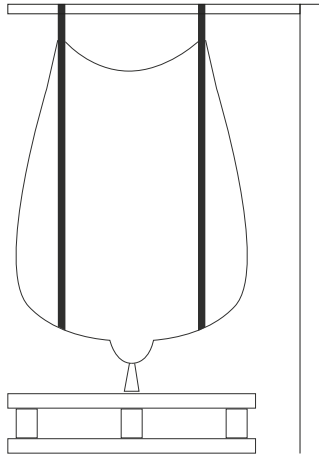
DETAILS MATTER.



PACKAGING SOLUTIONS

EKOPREN®

www.mixercompounds.com



BIG BAG (CODE: 04)

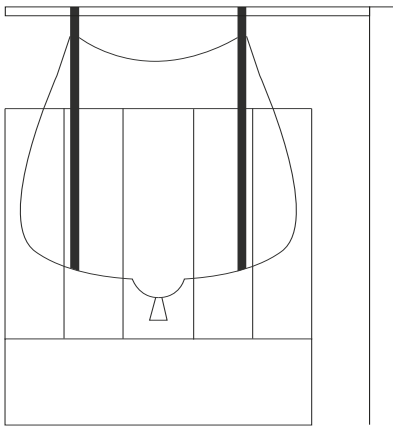
MADE OF:

- PP big bag
- Corrugated cardboard
- Pallet

ALTERNATIVE USE

PP big bag: garbage bag
wood: reusable

QUANTITY RANGE: 850-1200 kg



STACKABLE METAL CRATE + BIG BAG (CODE: 05)

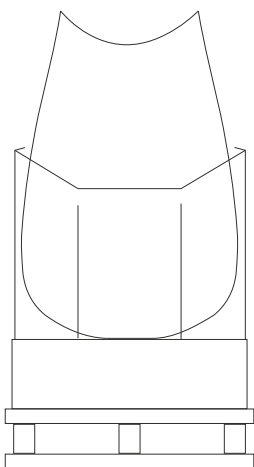
MADE OF:

- PP big bag
- Metal

ALTERNATIVE USE

PP big bag: garbage bag
metal crate: reusable and returnable

QUANTITY RANGE: 900-1000 kg



OCTABIN (CODE: 08)

MADE OF:

- PE liner
- PP straps
- Corrugated cardboard
- Pallet CP9

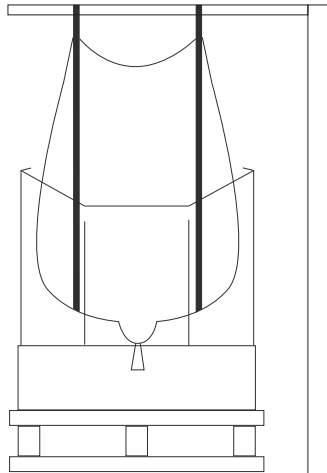
ALTERNATIVE USE

PE line: garbage bag
corrugated cardboard: garbage bag
wood: reusable

QUANTITY RANGE: 600-1000 kg

RECYCLING

dispose of in accordance with local requirements



BB OCTABIN (CODE: 20)

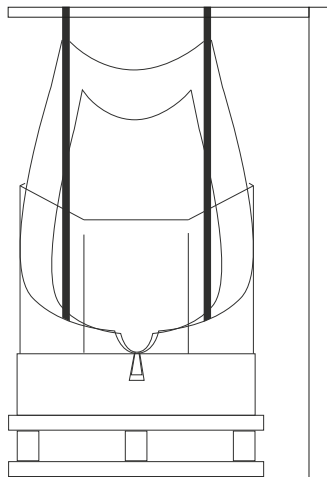
MADE OF:

- PP big bag
- PP straps
- Corrugated cardboard
- Pallet CP9

ALTERNATIVE USE

PP big bag: garbage bag
corrugated cardboard: garbage bag
wood: reusable

QUANTITY RANGE: 600-1000 kg



BBL OCTABIN (CODE: 22)

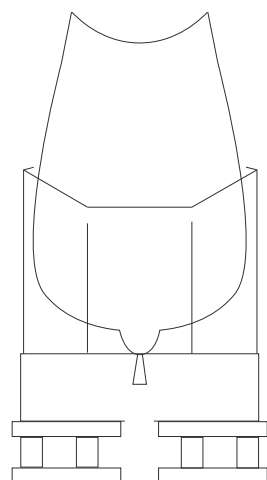
MADE OF:

- PE liner
- PP big bag
- PP straps
- Corrugated cardboard
- Pallet CP9

ALTERNATIVE USE

PE liner: garbage bag
PP big bag: garbage bag
corrugated cardboard: garbage bag
wood: reusable

QUANTITY RANGE: 600-1000 kg



BOTTOM DISCHARGE OCTABIN (CODE: 23)

MADE OF:

- PE liner
- PP straps
- Corrugated cardboard
- Pallet CP8

ALTERNATIVE USE

PE liner: garbage bag
corrugated cardboard: garbage bag
wood: reusable

QUANTITY RANGE: 600-1000 kg

RECYCLING

dispose of in accordance with local requirements

